

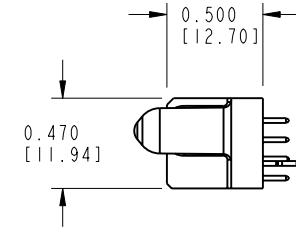
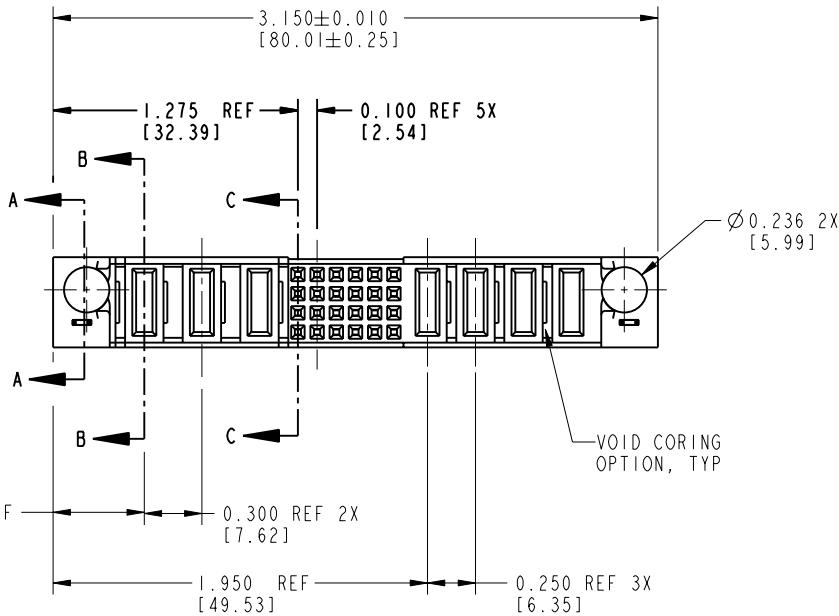
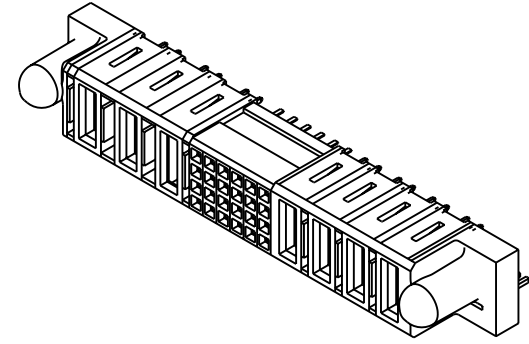
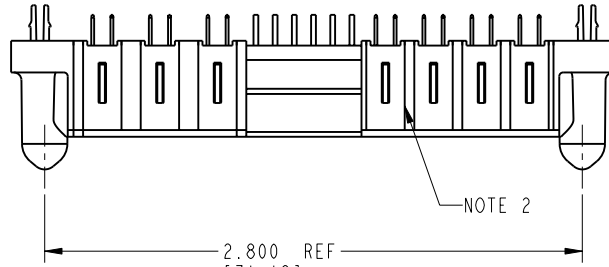
Tous droits strictement réservés. Reproduction ou communication o des liens interdite sous quelque forme que ce soit sans autorisation écrite du propriétaire. Propriete de c FCI. Droits de reproduction FCI.



All rights strictly reserved. Reproduction or issue to third parties in any form, whatever is not permitted without written authority from the proprietor. Property of FCI. Copyright FCI.

PRODUCT NUMBER

51797-001--
NOTE: ③



mat'l code				NOTE 1		tolerances unless otherwise specified		CUSTOMER		FCI	
ltr	ecn no.	dr	date	linear	.XX±.01/0.X±0.3		COPY		www.fciconnect.com		
A	V02395	JRW	10-13-00		.XXX±.005/0.XX±0.13		projection		title 4P + 24S + 3ACP		
B	DG05-0192	SJ	06/27/05		.XXXX±.0020/.XXX±.051		INCH/MM		VERTICAL SOLDER TAIL RECEPTACLE		
C	DG06-0244	JMG	06/22/06	angles	0°±2°		scale		product family PwrBlade		code 213
				dr	E. KORFF	06-23-00	1:1		size dwg no		sheet 1 of 3
				engr	J. BROWN	06-23-00			A 51797		
				chr	J. BROWN	06-23-00					
				appd	J. BROWN	06-23-00					
sheet index	revision sheet	C	C	C							
		1	2	3							

Pro/E

cage code 22526

PDM: Rev:C

STATUS: Released

Printed: Dec 07, 2007

Tous droits strictement réservés. Reproduction ou communication o des liers interdite sous quelque forme que ce soit sans autorisation écrite du propriétaire. Propriété de c FCI. Droits de reproduction FCI.

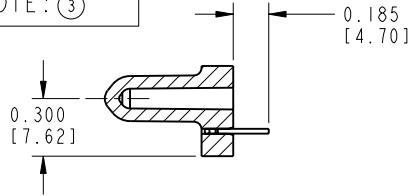


All rights strictly reserved. Reproduction or issue to third parties in any form, whatever is not permitted without written authority from the proprietor. Property of FCI. Copyright FCI.

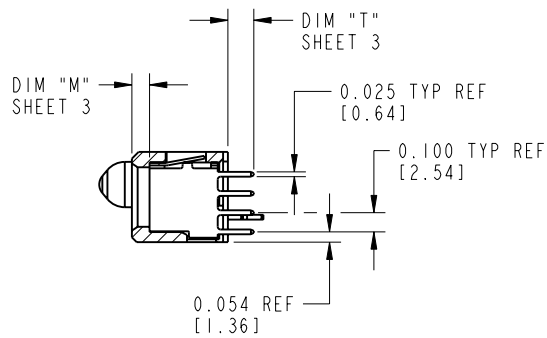
PRODUCT NUMBER

51797-001--

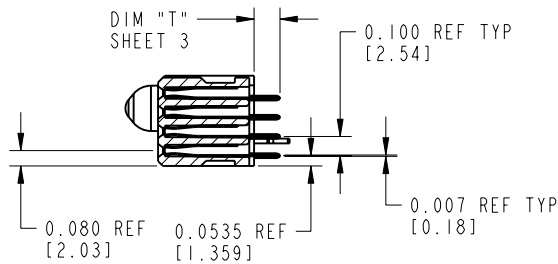
NOTE: ③



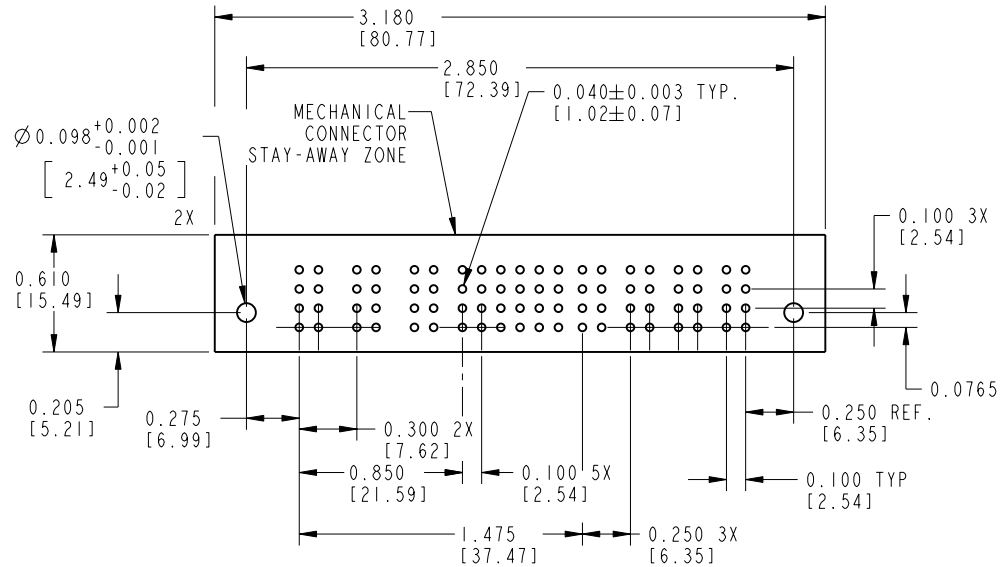
SECTION A-A



SECTION B-B



SECTION C-C



RECOMMENDED PCB LAYOUT

mat'l code		NOTE 1		tolerances unless otherwise specified		CUSTOMER		FCI	
ltr	ecr no.	dr	date	linear	.XX±.01/0.X±0.3	COPY		www.fciconnect.com	
c				projection	.XXX±.005/0.XX±0.13	INCH/MM		title 4P + 24S + 3ACP	
				angles	.XXX±.0020/.XXX±.051	scale 1:1		VERTICAL SOLDER TAIL RECEPTACLE	
				dr	E. KORFF 06-23-00	product family PwrBlade		code 213	
				engr	J. BROWN 06-23-00	size		sheet 2	
				chr	J. BROWN 06-23-00	dwg no		51797	
				appd	J. BROWN 06-23-00	A			
sheet index	revision sheet								

Pro/E

cage code 22526

PDM: Rev:C

STATUS: Released

Printed: Dec 07, 2007

Tous droits strictement reserves. Reproduction ou communication o des liers interdite sous quelque forme que ce soit sans autorisation ecrite du proprietaire. Propriete de c FCI. Droits de reproduction FCI.



All rights strictly reserved. Reproduction or issue to third parties in any form, whatever is not permitted without written authority from the proprietor. Property of FCI. Copyright FCI.

PRODUCT NUMBER
51797-001-- NOTE: ③

ITEM NO.	QTY	DIM "M" MATING LENGTH ±.010	DIM "T" TAIL LENGTH ±.010	CONTACT TYPE	PLATING FOR MATING	PLATING FOR TAIL
PD	6	0.092 [2.34]	0.135 [3.43]	POWER	30 u'' [.76um] Au	SnPb
PA	1	0.042 [1.07]	0.135 [3.43]	POWER	30 u'' [.76um] Au	SnPb
HA	2	N/A [N/A]	N/A [N/A]	HOLD-DOWN	N/A [N/A]	SnPb
E	24	N/A [N/A]	0.135 [3.43]	SIGNAL	30 u'' [.76um] Au	Sn

PRODUCT No.	ROWS	POWER				SIGNAL				POWER				E1				
		E2	P7	P6	P5	6	5	4	3	2	1	P4	P3		P2	P1		
51797 - 001-- NOTE: ③	D C B A		HA	PD	PD	PA	E	E	E	E	E	E	E	PD	PD	PD	PD	HA

CONNECTORS - NOTES:

- HOUSING MATERIAL: UL 94 V-0 GLASS FILLED HIGH TEMP THERMOPLASTIC
SIGNAL CONTACT MATERIAL: COPPER ALLOY
POWER CONTACT MATERIAL: COPPER ALLOY
- "MANUFACTURER" NAME, P/N, AND DATE CODE TO APPEAR ON THIS SURFACE
- 51797-001;51797-001LF;51797-001GLF PLATING SPEC. SEE PRINT:10064183
- PRODUCT SPECIFICATION GS-12-149

PCB - NOTES

- ALL DIMENSIONS ARE BASIC UNLESS OTHERWISE SPECIFIED.
- ALL THROUGH HOLES ARE LOCATED WITH A TRUE POSITION OF .004
- ALL HOLE DIAMETERS ARE FINISHED HOLE SIZE
- Ø.098 THROUGH HOLES ARE UNPLATED
- Ø.0453/1.151 DRILLED HOLES
PLATED WITH .0003/.007 MIN SnPb
OVER .001/.03 to .003/.08 Cu PLATING TO ACHIEVE
A .040±.003/1.02±.08 HOLE

mat'l code		NOTE 1		tolerances unless otherwise specified		CUSTOMER		FCI	
lfr	ecn no.	dr	date	linear	.XX±.01/0.X±0.3	COPY		www.fciconnect.com	
c				projection	.XXX±.005/0.XX±0.13	INCH/MM		title 4P + 24S + 3ACP	
				angles	.XXX±.0020/.XXX±.051	scale 1:1		VERTICAL SOLDER TAIL RECEPTACLE	
				dr	E. KORFF 06-23-00	product family		PwrBlade	
				engr	J. BROWN 06-23-00	size		213	
				chr	J. BROWN 06-23-00	dwg no		sheet	
				appd	J. BROWN 06-23-00	A		3	
sheet index	revision sheet								

cage code 22526

Pro/E

PDM: Rev:C

STATUS: Released

Printed: Dec 07, 2007